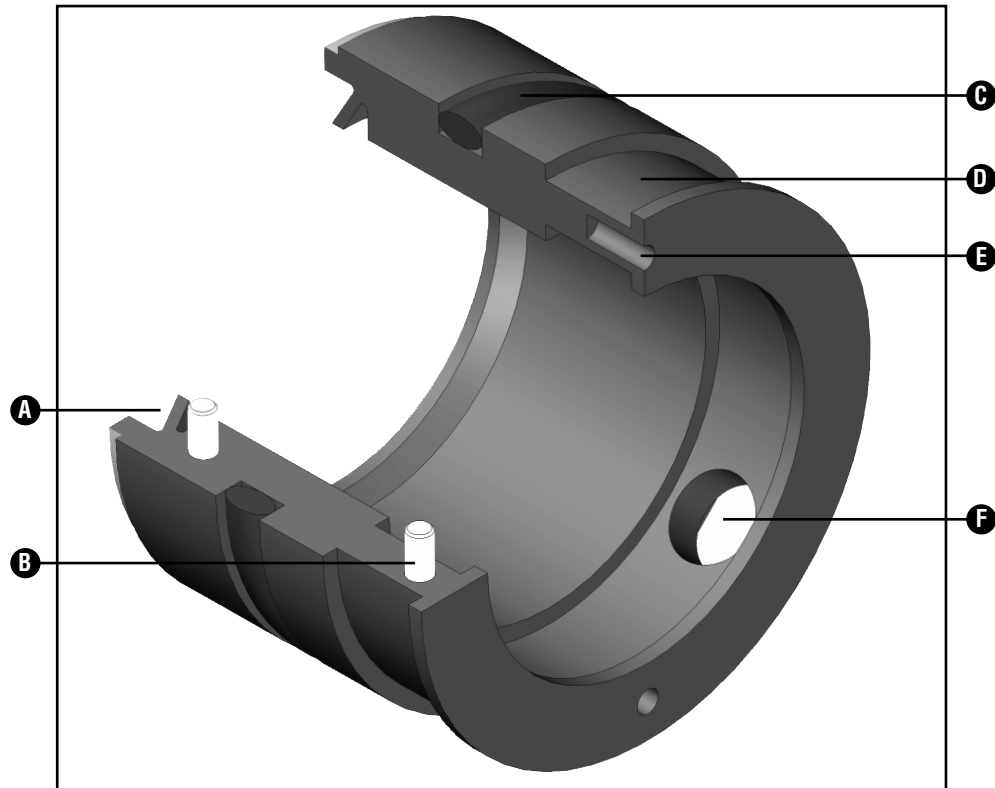


CPR BUSHING

PTFE PROCESS RESTRICTOR

- A – Flexible Lip
- B – Jointing Pins
- C – O-ring
- D – Flush Grove
- E – Extraction Puller Holes
- F – Flush Holes



Product Description

The CPR bushing is designed to reduce or restrict process media from entering stuffing box or seal chamber in turn extending packing or mechanical seal life. This product is designed for use in most types of rotating equipment which handles a wide variety of services.

With the maintenance person in mind, the CPR Bushing Kit contains products for removal of existing packing and lantern ring plus items necessary for installation.

Performance Capabilities

- Temperatures: to 550°F/288°C
- pH: 0 to 14
- Speed: 3,600 fpm/18m/s
- Pressure: 500 psi/34 bar

Design Features

Supplied in kit form contents:

- CPR bushing
- Installation instructions
- Two flexible shaft packing hooks with cork screw type tip
- Two alternative wood screw type packing hook tips
- O-ring and bonding adhesive
- Expanded PTFE gasket tape
- Equipment tag



- Available in multiple John Crane PTFE compounds.
- Furnished split or non-split
- Custom fit
- Utilizes system pressure as an advantage
- Proven John Crane restrictor lip design
- Multiple sealing areas
- Back flush control
- Reduce stuffing box pressure
- Can be used with clockwise or counter-clockwise shaft rotation
- Reduce packing ring requirements
- Increased packing life
- Reduced water and power consumption
- Reduced maintenance and downtime

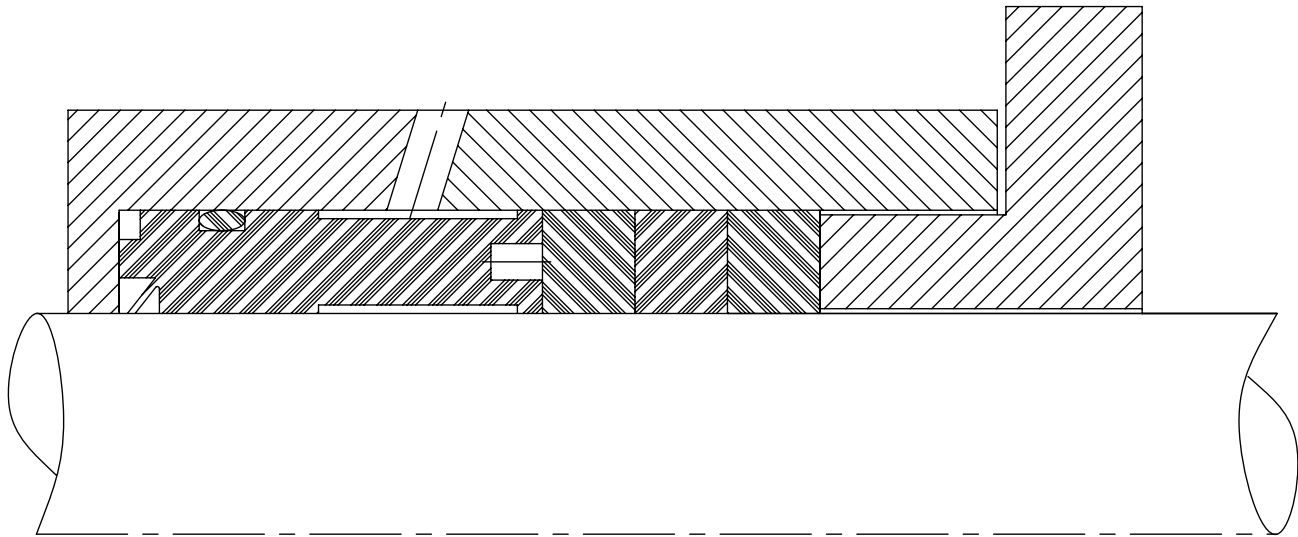
*Packing set or mechanical seal are sold separately.

Typical Arrangement Design A

Split with restrictor lip

*Also available in non-spilt design upon request

Designed to reduce or restrict process media from entering stuffing box, reduce the number of packing rings required plus eliminate or reduce leakage to atmosphere. Optimum performance achieved when flush pressure maintained at higher level than process. This design is also ideal for use with cartridge type mechanical seals, contact your local John Crane representative for additional information.

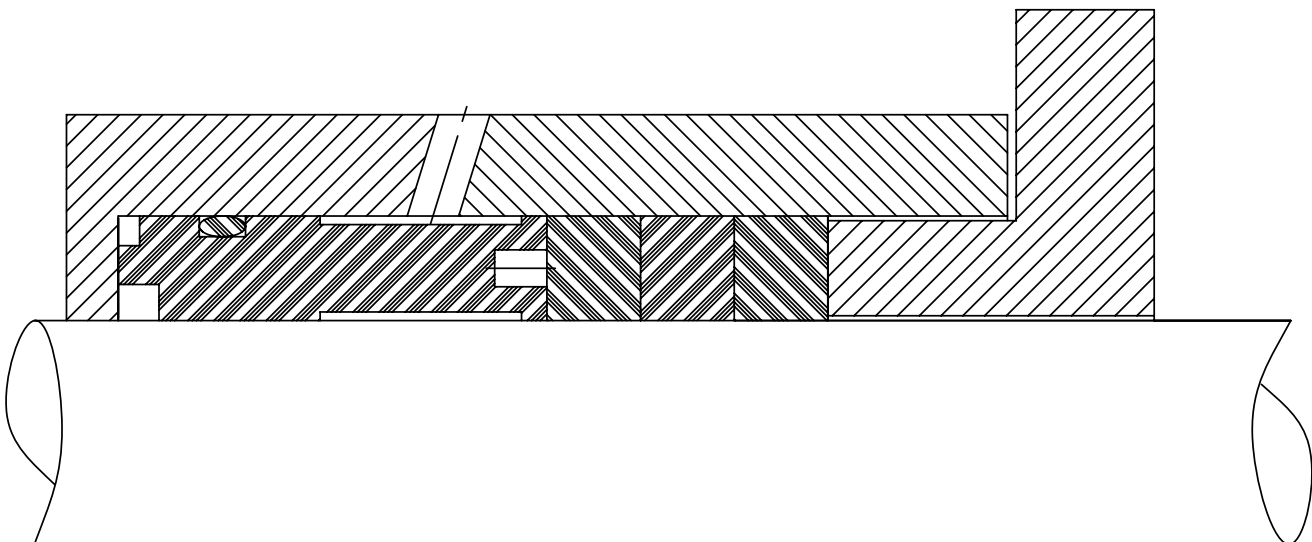


Typical Arrangement Design A

Split without restrictor lip

*Also available in non-spilt design upon request

This design is recommended for use with no or inadequate flush capabilities. This type of close tolerance bushing can also be used in reciprocating service plus suitable for use as a floating bearing. Contact your local John Crane representative to assist with proper material selection for these applications.



CPR BUSHING

PTFE PROCESS RESTRICTOR

Applications

Dynamic Applications

Common Services:

- Paper stock
- Slurries
- Sludge
- Asphalt
- Food processing
- Dry processing
- Viscous products
- Abrasives
- Other applications containing particulates

Industries Served

- Agriculture
- Chemical and pharmaceutical
- Food and beverage
- General industry
- Marine
- Mining and minerals
- Municipal waste and water
- Oil and gas
- Power generation
- Pulp and paper
- Steel and metals

Typical Equipment

- Design "A" Rotating
- Design "B" Rotating, Reciprocating

Additional Packing Support Products Available

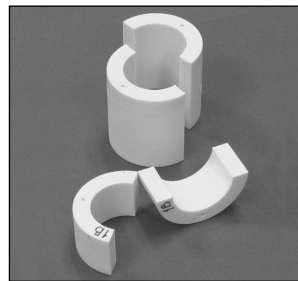
- Reduce flush line contamination with a John Crane abrasive separator
- Flush water usage can be optimized and controlled with a John Crane Safeunit™
- Split seating bushing for packing and CPR bushing installation



Abrasive Separator



John Crane Safeunit



Split Installation Bushing

CPR BUSHING

PTFE PROCESS RESTRICTOR

Materials of Construction

Bushing Components	Materials	
Description	Standard	Options
CPR Bushing	25% Carbon	25% Glass Bronze and Moly Virgin or mineral-filled for FDA
O-ring	EPDM	Interchangeable to suit applications
Gasket	Expanded PTFE	—



North America
United States of America
Tel: 1-847-967-2400
Fax: 1-847-967-3915

Europe
United Kingdom
Tel: 44-1753-224000
Fax: 44-1753-224224

Latin America
Brazil
Tel: 55-11-3371-2500
Fax: 55-11-3371-2599

Middle East & Africa
United Arab Emirates
Tel: 971-481-27800
Fax: 971-488-62830

Asia Pacific
Singapore
Tel: 65-6518-1800
Fax: 65-6518-1803

If the products featured will be used in a potentially dangerous and/or hazardous process, your John Crane representative should be consulted prior to their selection and use. In the interest of continuous development, John Crane Companies reserve the right to alter designs and specifications without prior notice. It is dangerous to smoke while handling products made from PTFE. Old and new PTFE products must not be incinerated. ISO 9001 and ISO 14001 Certified, details available on request.