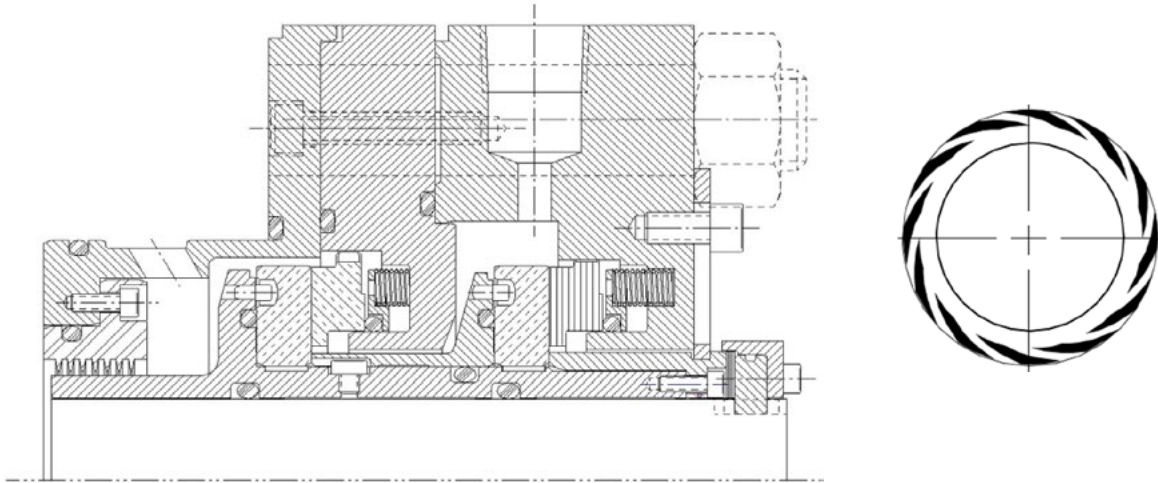




TYPE 8628VL SEAL

MULTIPHASE LUBRICATING ETHANE PIPELINE SEAL

Installation, Operation & Maintenance Instructions



Foreword

This instruction manual is provided to familiarize the user with the seal and its designated use. The instructions must be read and applied whenever work is done on the seal, and must be kept available for future reference.

ATTENTION These instructions are for the installation and operation of a seal as used in rotating equipment. The instructions will help to avoid danger and increase reliability. The information required may change with other types of equipment or installation arrangements. This manual must be read in conjunction with the instruction manuals for both the pump and any ancillary equipment.

If the seal is to be used for an application other than that originally intended or outside the recommended performance limits, John Crane must be contacted before its installation and use.

Any warranty may be affected by improper handling, installation or use of this seal. Contact John Crane for information as to exclusive product warranty and limitations of liability.

If questions or problems arise, contact your local John Crane representative or the original equipment manufacturer, as appropriate.

ATTENTION John Crane mechanical seals are precision products and must be handled appropriately. Take particular care to avoid damage to lapped sealing faces and to flexible sealing rings. Do not excessively compress the seal before or during installation.

Safety Instructions

1. The following designations are used in the installation instructions to highlight instructions of particular importance.

NOTE refers to special information on how to install or operate the seal most efficiently.

ATTENTION refers to special information or instructions directed toward the prevention of damage to the seal or its surroundings.



Refers to mandatory instructions designed to prevent personal injury or extensive damage to the seal or its surroundings.

- Installation, removal and maintenance of the seal must be carried out only by qualified personnel who have read and understood these installation instructions.
- The seal is designed exclusively for sealing rotating shafts. The manufacturer cannot be held liable for use of the seal for purposes other than this.
- The seal must only be used in technically perfect condition and must be operated within the recommended performance limits in accordance with its designated use and the instructions set out in these instructions.
- If the pumped fluid is hazardous or toxic, appropriate precautions must be taken to ensure that any seal leakage is adequately contained. Further information on sealing hazardous or toxic fluids should be obtained from John Crane prior to seal installation.
- Fluorocarbon components should never be burned or incinerated as the fumes and residues are highly toxic. If fluorocarbons are accidentally heated above 400°C/750°F, they can decompose. Protective gloves should be worn as hydrofluoric acid may be present.
- PTFE components should never be burned or incinerated as the fumes are highly toxic.

Before Starting the Equipment

- Check the pump at the coupling for proper alignment of the driver or motor.
- Ensure that the gland plate nuts/bolts are securely tightened according to the pump manual instructions, and all screws are securely fastened.

MULTIPHASE LUBRICATING ETHANE PIPELINE SEAL

Installation, Operation & Maintenance Instructions

3. Complete the assembly of the pump and turn the shaft (by hand if possible) to ensure free rotation.
4. Consult all available equipment operating instructions to check for correctness of all piping and connections, particularly regarding seal recirculation/flush, heating or cooling requirements, and services external to the seal.

ATTENTION This mechanical seal is designed to operate in a volatile liquid. Though the seal is tolerant of phase change and can operate in both vaporizing and supercritical fluids, optimal performance and seal longevity is achieved by providing a liquid phase flush to lubricate the seal faces. The following check should be carried out not only after seal installation, but also after any period of equipment inactivity.

5. Check that the seal chamber fluid lines are open and free of any obstruction and ensure that the seal chamber is properly vented and filled with liquid — refer to the pump instruction manual.



Before start-up, ensure that all personnel and assembly equipment have been moved to a safe distance so there is no contact with rotating parts on the pump, seal, coupling or motor.

WARNING Seal installation should be handled only by qualified personnel. If questions arise, contact John Crane's local representative. Improper use and/or installation of this product could result in injury to the person and/or harmful emissions to the environment and may affect any warranty on the product. Please contact the company for information as to exclusive product warranty and limitations of liability.

Operating Conditions

The following are the operating limits of the Type 8628VL seals. The selection of materials used in the construction of the seal should be made with regard to their temperature and chemical resistance and compatibility with the liquid being sealed.

Temperature limits: -26°C to 121°C (-15°F to 250°F)

Pressure limits: 103 barg (1500 psig) dynamic seal pressure rating DSPR
124 barg (1800 psig) static seal pressure rating SSRP
155 barg (2250 psig) static structural integrity

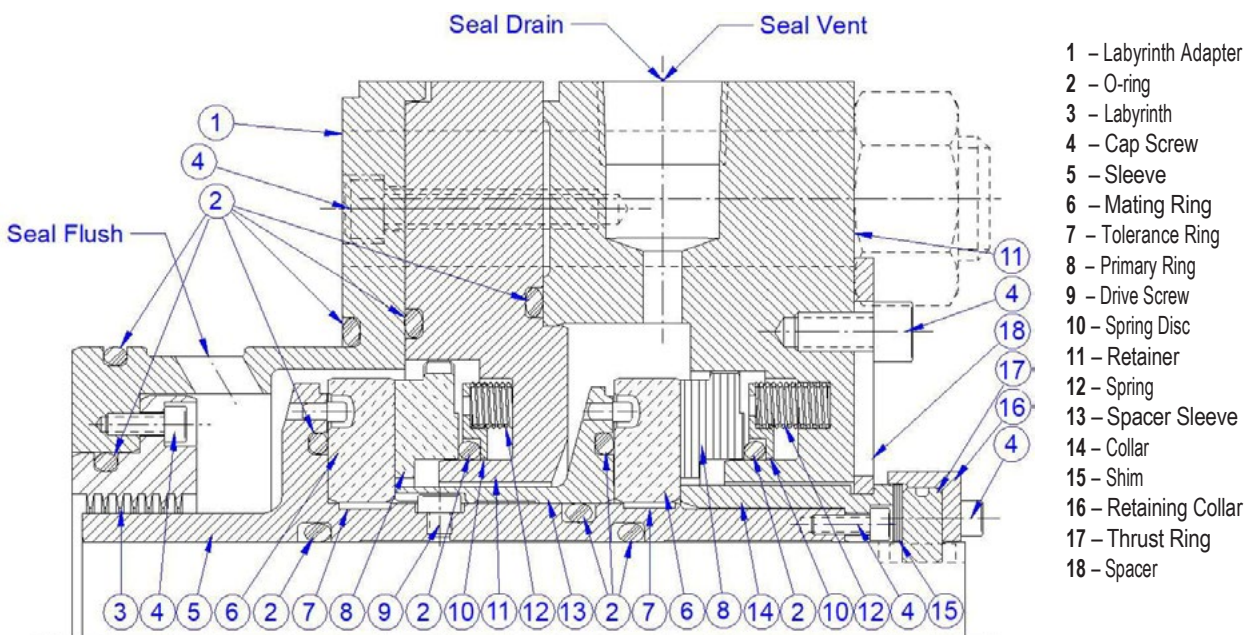
Speed limits: 1450 to 3600 rpm
Up to 25.4 m/s (5000 fpm)**

**Based on designated seal size (diameter)

General Instructions

1. Be sure to read all instructions carefully before installing seal.
2. John Crane's Type 8628VL seals are precision products and are shipped as completely assembled cartridge seals for ease of installation.
3. Review the application specific installation (Layout) drawing and become familiar with the seal components, their location and function within the cartridge. The application specific seal may differ from that shown here.
4. Seals are uni-directional and can only be operated in the correct direction of shaft rotation (Clockwise or Counter-Clockwise). Be sure that you are installing the appropriate seal in the pump position which ensures the correct direction of shaft rotation.

TYPICAL TYPE 8628VL SEAL ARRANGEMENT





TYPE 8628VL SEAL

MULTIPHASE LUBRICATING ETHANE PIPELINE SEAL

Installation, Operation & Maintenance Instructions

Type 8628VL installation dimensions

For dimensional data on the seal installation, please refer to the specific John Crane layout drawing.

Imperial/metric conversions:

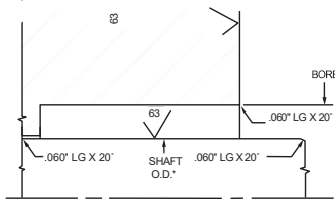
- 0.060" x 20° = 1.6 mm x 20°
- 63V (µin) = 1.6V (micrometer)
- 0.005" = 125 micrometer
- 0.0005" per inch bore = 15 micrometer/3cm
- 0.001" = 25 micrometerr

NOTE

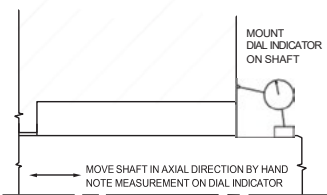
It is recommended that the pump and its installation meet the requirements of the latest edition of API Standard 610. Equipment that meets these requirements will aid in extending mean time between planned maintenance.

Preparing the equipment

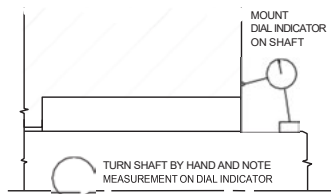
1. Check the shaft and seal chamber dimensions and finishes as noted. Check dimensions per specific John Crane layout drawing.



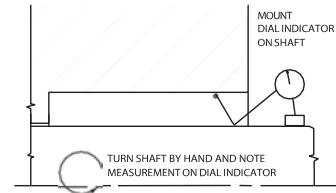
2. Measure the shaft end float/end play. The maximum value should not exceed 0.005" F.I.M.. Remove all sharp edges and burrs over which the seal sleeve must pass.



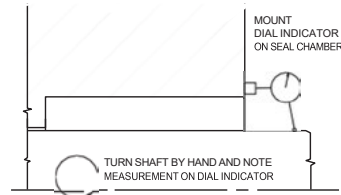
3. Check the squareness or face runout of the seal chamber face to the shaft. The maximum value should not exceed 0.0005" per inch of seal chamber bore diameter, F.I.M.



4. Measure the concentricity of the seal chamber bore to the shaft. This value should not exceed 0.005" F.I.M.



5. Measure the shaft runout at the seal location. The maximum value should not exceed 0.001" F.I.M..



NOTE

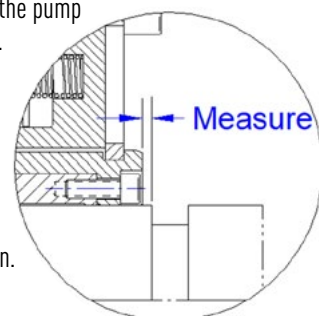
If the measured dimensions exceed these values given, correct the equipment to meet the specifications prior to installing the seal cartridge.

Installing the Seal

1. Before starting the installation, read through the following instructions carefully, as the sequence may be different depending on the construction of the pump.
2. Remove the seal from its packaging, inspect the seal for any damage and wipe clean.
3. The equipment should be clean and meet the specifications noted in "Preparing the Equipment". Check the sleeve and gland secondary seal. Apply an appropriate lubricant, if necessary, to assist in assembly. The gland plate nuts should be lubricated in order to achieve proper torque values.
4. The typical seal cartridge contains spacers that set the working height of the seal. On some equipment, the lower spacer is not accessible once the seal is installed onto the shaft. In these instances, remove the lower spacer.
5. Place the seal cartridge on the pump shaft, make sure it is oriented so that the customer supplied studs are aligned with seal cartridge thru holes. Jack the cartridge SQUARELY into the pump using a pusher plate. DO NOT USE KNOCKERS. Install customer supplied nuts onto the studs to secure the stator.

For the Typical Arrangement Shown

6. Measure the distance between the back of the collar and the closest side of the thrust ring groove in the shaft. Record this dimension.





TYPE 8628VL SEAL

MULTIPHASE LUBRICATING ETHANE PIPELINE SEAL

Installation, Operation & Maintenance Instructions

7. The typical seal shown is supplied with 2 laminated shims that are 0.126" in starting width and have 0.003" laminations. Based on the measurement from 6 above, create a shim that is the correct width to within +/- 0.002".
8. Install the shim making sure the holes in the shim are lined up with the tapped holes in the collar.
9. Install thrust ring into the groove in the shaft with holes aligned.
10. Install retaining collar over the thrust ring with the holes aligned.
11. Install socket head cap screws through the retaining collar, thrust ring and shim pack into the threaded holes in the back of the collar. Tighten the screws.
12. Move the spacers by loosening their socket head cap screws. Push the spacers away from the shaft as far as they will go. Securely tighten the socket head cap screws.

For Other Arrangements

13. Review and follow the applicable pump assembly instructions. Review the application specific seal installation drawing and have qualified assembly personnel install the seal as indicated. If questions arise, contact John Crane's local representative.
14. Use the spacers any time the gland nuts or collar set screws are loosened to properly set the seal to its working height.
15. Piping connections can now be made to the gland plate.

WARNING: Be sure to make the proper gland plate connections to the process and atmospheric sides of the seal.



The spacers must be positioned out of the way of the collar and tightened down prior to starting up the pump.

Removing the Seal Cartridge

1. Ensure that the pump is electrically isolated.



If the equipment has been used on toxic or hazardous fluids, ensure that the equipment is correctly decontaminated and made safe prior to commencing work. Remember fluid is often trapped during draining and may exist outside the seal. The pump instruction manual should be consulted to check for any special precautions.

2. Ensure that the pump is isolated by the appropriate valves. Check that the fluid is drained, and pressure is fully released.
3. Referring to the pump installation manual, dismantle the equipment sufficiently to expose the gland plate and seal chamber. It is assumed that the pump is in the state where the seal can be removed.
4. Remove socket head cap screws from the back of the retaining collar. Remove retaining collar and remove thrust ring.

5. Check alignment of spacers with the groove in the sleeve. If they are not aligned, the tapped holes in the threaded collar may be used to push/pull the rotor assembly into alignment using a pusher plate tool.
6. Loosen socket head cap screws and slide spacers down into the groove. Once in position, tighten the same socket head cap screws.



The spacers need to be in place prior to seal assembly removal. Failure to install the spacers can result in damage to the seal faces.

7. Remove customer supplied studs/nuts that secure the seal to the pump.
8. Slowly and SQUARELY remove the seal cartridge using a pusher plate tool.

Storage and Transport

1. Mechanical seal assemblies and component parts must be treated with extreme care to protect them from damage due to handling and deterioration. In all cases if established company procedures differ from the instructions provided in this document, the established procedures shall be followed.
2. Warehouse shelf storage:
 - a) John Crane mechanical seals and components are packaged to protect them from airborne dirt and grit, as well as from mishandling. If the packaging is removed for inspection, it should be replaced. Seals are generally packaged dry. Elastomer shelf life can be a factor if the storage period is in excess of two years.
 - b) If storage is in excess of one year, it is recommended that the primary and mating rings be inspected for flatness prior to installing the seals into the pump.

Quality Assurance

This seal has been assembled in accordance with John Crane's quality assurance standards and with proper maintenance and use will give safe and reliable operation to the maximum recommended performance as shown in any relevant approved John Crane publication.

Maintenance

No maintenance of a seal is possible while installed. It is recommended that a spare seal unit be held in stock to allow immediate replacement of a removed seal. It is recommended that used seals are returned to a John Crane service location, as rebuilding to as- new specifications must be carried out by qualified personnel.



It is the responsibility of the equipment user to ensure that any parts being sent to a third party have appropriate safe handling instructions externally attached to the package.



TYPE 8628VL SEAL

MULTIPHASE LUBRICATING ETHANE PIPELINE SEAL

Installation, Operation & Maintenance Instructions



North America United States of America Tel: 1-847-967-2400	Europe United Kingdom Tel: 44-1753-224000	Latin America Brazil Tel: 55-11-3371-2500	Middle East & Africa United Arab Emirates Tel: 971-481-27800	Asia Pacific Singapore Tel: 65-6518-1800
---	--	--	---	---

If the products featured will be used in a potentially dangerous and/or hazardous process, your John Crane representative should be consulted prior to their selection and use. In the interest of continuous development, John Crane Companies reserve the right to alter designs and specifications without prior notice. It is dangerous to smoke while handling products made from PTFE. Old and new PTFE products must not be incinerated. ISO 9001 and ISO14001 Certified, details available on request.