

# MAGNUM-P V6S

Magnetic Bearing Isolator



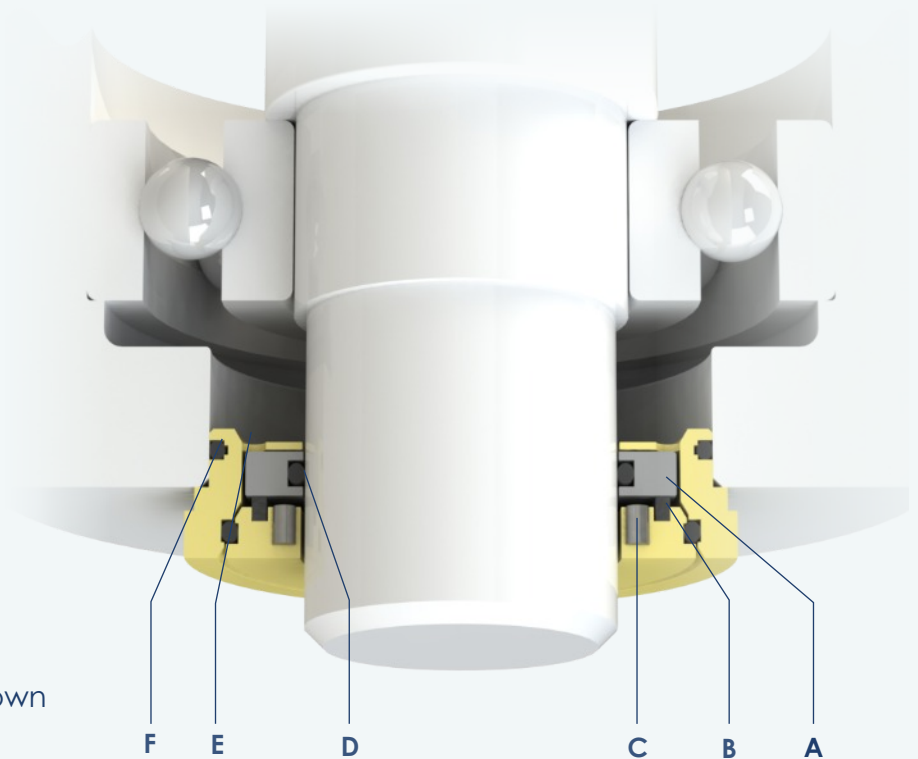
## DATASHEET

### FEATURES

- A** : Rotating ferrous face
- B** : Composite stationary face
- C** : Rare earth magnets
- D** : O-ring driven rotor
- E** : Oil recirculation ports
- F** : O-ring bore fit

### APPLICATIONS

- Lubrication:** Bath, Flooded
- Equipment:** Pumps, Gearboxes
- Orientation:** Horizontal, Vertical Down



### TECHNICAL SPECIFICATIONS

- Standard Materials:** Bronze, Stainless Steel
- Temperature:** 400°F/205°C max, -15°F/-26°C min
- Pressure:** 0-5 psi (0-.34 Bar)
- Shaft Size:** .750 in (20 mm) - 24 in (610 mm)
- Shaft Speed:** 15,000 ft/min (76.2 m/s)
- Axial Movement:** +/- 1.0 in (25.4 mm) or greater
- Radial Movement:** .020 in (.5 mm)
- Configurations:** Bolted, Non-flanged, Male/Female Fit

Extremely clean lubrication up to 75,000 hrs

Reduce frequency of oil changes

Eliminate wear to host equipment

Prevent lubricant leakage

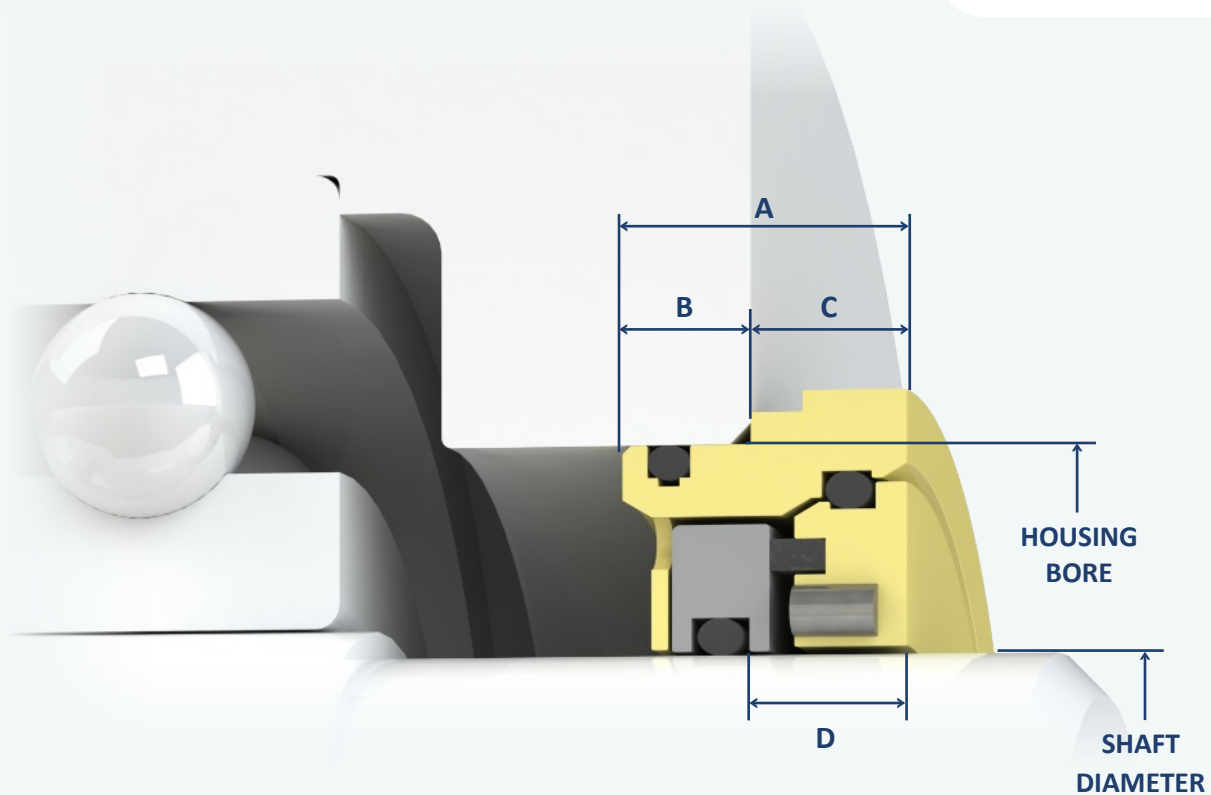
Prevent contaminant ingress

# MAGNUM-P V6S

Magnetic Bearing Isolator



## EXTERNAL DIMENSIONS



IMPERIAL UNITS					
SHAFT DIAMETER (1/16" increments)	HOUSING BORE Minimum	LENGTH "A"	ENTRY "B"	EXTERNAL "C"	O-RING "D"
.750" to 2.000"	Shaft + .750"	0.685"	0.310"	0.375"	0.370"
2.062" to 3.000"	Shaft + .750"	0.700"	0.350"	0.350"	0.370"
3.062" to 4.000"	Shaft + .750"	0.900"	0.450"	0.450"	0.450"
4.000" to 7.000"	Shaft + 1.000"	0.925"	0.500"	0.425"	0.455"
7.000" to 15.000"	Shaft + 1.250"	1.120"	0.560"	0.560"	0.610"

METRIC UNITS					
SHAFT DIAMETER (1mm increments)	HOUSING BORE Minimum	LENGTH "A"	ENTRY "B"	EXTERNAL "C"	O-RING "D"
19mm to 50mm	Shaft + 20mm	17.400	7.875	9.525	9.398
51mm to 75mm	Shaft + 20mm	17.780	8.890	8.890	9.398
76mm to 100mm	Shaft + 20mm	22.860	11.430	11.430	11.430
101mm to 175mm	Shaft + 25mm	23.495	12.700	10.795	11.557
176mm to 380mm	Shaft + 32mm	28.448	14.224	14.224	15.494

*\*\*Contact factory for seals greater than 15.000" or 380mm*