

# MAGNUM - P V7

Magnetic Bearing Isolator



**ISOMAG**<sup>®</sup>  
DURABLE BY DESIGN

## DATASHEET

### FEATURES

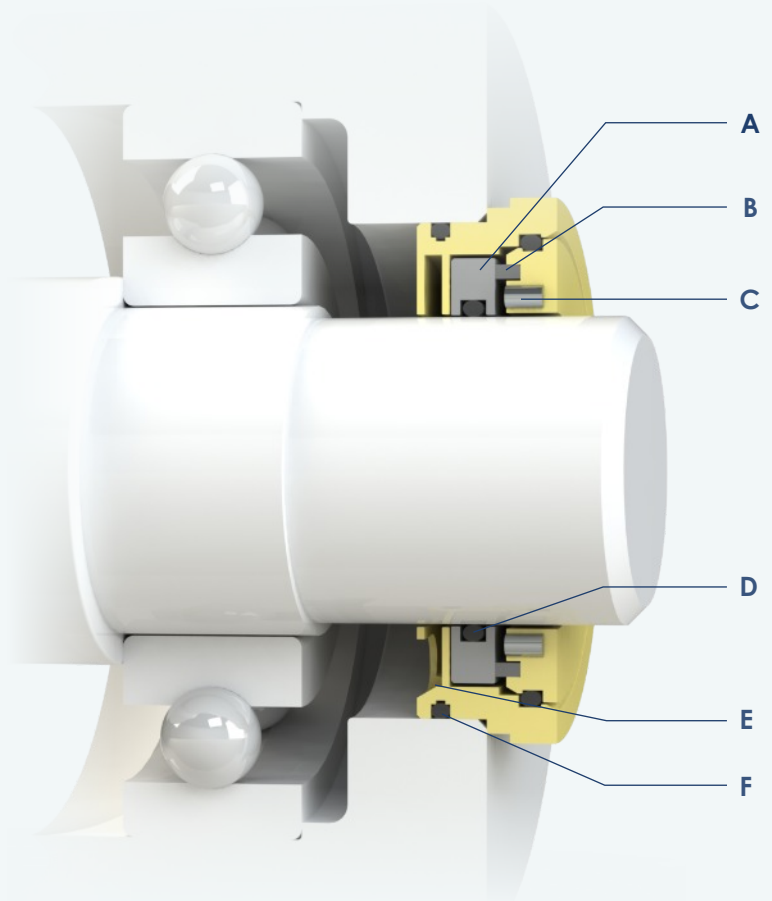
- A** : Rotating ferrous face
- B** : Composite stationary face
- C** : Rare earth magnets
- D** : O-ring driven rotor
- E** : Oil recirculation drain-back
- F** : O-ring bore fit

### APPLICATIONS

- Lubrication:** Splash, Oil Mist, Circulated
- Equipment:** Pumps, Steam turbines
- Orientation:** Horizontal

### TECHNICAL SPECIFICATIONS

- Standard Materials:** Bronze, Stainless Steel
- Temperature:** 400°F/205°C max, -15°F/-26°C min
- Pressure:** 0-5 psi (0-.34 Bar)
- Shaft Size:** .750 in (20 mm) - 24 in (610 mm)
- Shaft Speed:** 15,000 ft/min (76.2 m/s)
- Axial Movement:** +/- 1.0 in (25.4 mm) or greater
- Radial Movement:** .020 in (.5 mm)
- Configurations:** Bolted, Non-flanged, Male/Female Fit



Extremely clean lubrication up to 75,000 hrs

Reduce frequency of oil changes

Eliminate wear to host equipment

Prevent lubricant leakage

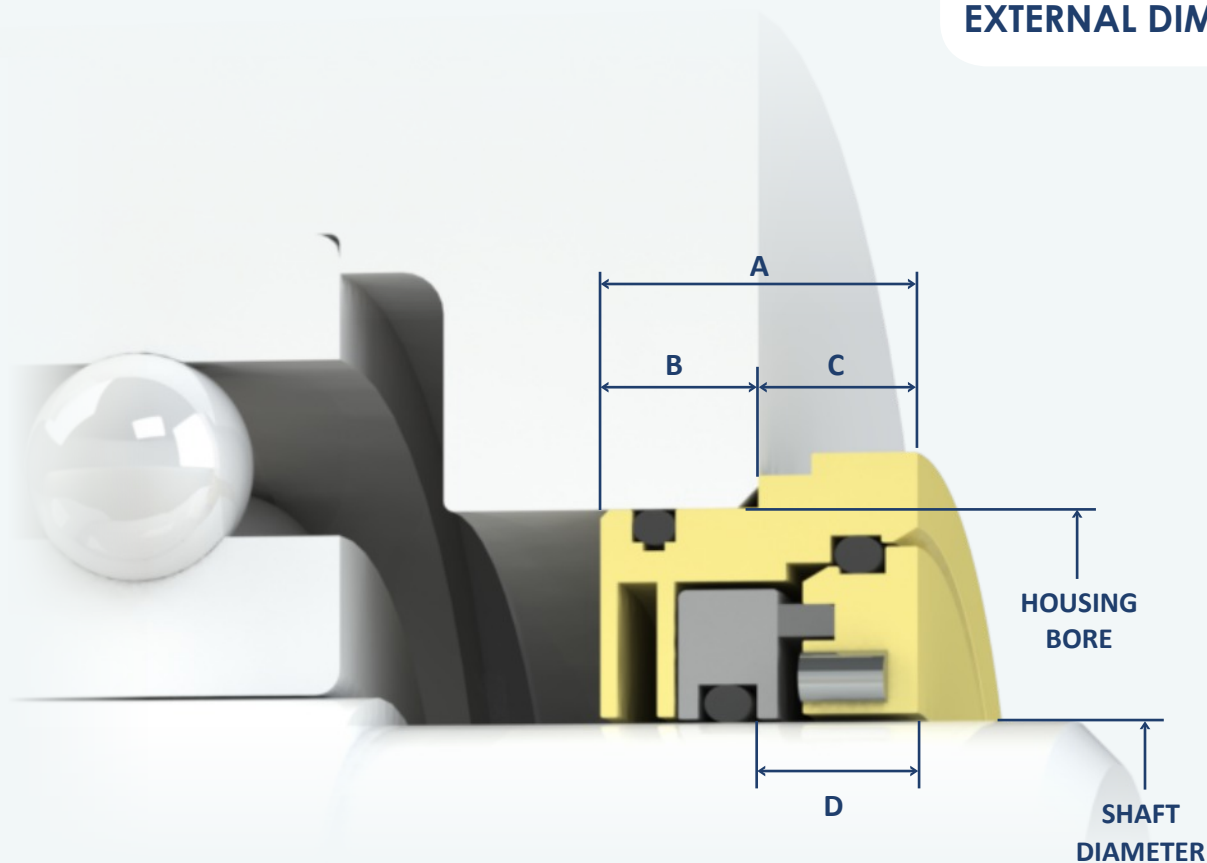
Prevent contaminant ingress

# MAGNUM - P V7

Magnetic Bearing Isolator



## EXTERNAL DIMENSIONS



IMPERIAL UNITS					
SHAFT DIAMETER (1/16" increments)	HOUSING BORE Minimum	LENGTH "A"	ENTRY "B"	EXTERNAL "C"	O-RING "D"
.750" to 2.000"	Shaft + .750"	0.750"	0.375"	0.375"	0.370"
2.062" to 3.000"	Shaft + .750"	0.775"	0.375"	0.400"	0.370"
3.062" to 4.000"	Shaft + .750"	0.950"	0.500"	0.450"	0.450"
4.000" to 7.000"	Shaft + 1.000"	1.050"	0.500"	0.550"	0.455"
7.000" to 15.000"	Shaft + 1.250"	1.250"	0.625"	0.625"	0.600"

METRIC UNITS					
SHAFT DIAMETER (1mm increments)	HOUSING BORE Minimum	LENGTH "A"	ENTRY "B"	EXTERNAL "C"	O-RING "D"
19mm to 50mm	Shaft + 20mm	19.040	9.525	9.525	9.398
51mm to 75mm	Shaft + 20mm	19.685	19.685	10.160	9.398
76mm to 100mm	Shaft + 20mm	24.130	12.700	11.430	11.430
101mm to 175mm	Shaft + 25mm	26.670	12.700	13.970	11.557
176mm to 380mm	Shaft + 32mm	31.750	15.875	15.875	15.240

\*\*Contact factory for seals greater than 15.000" or 380mm