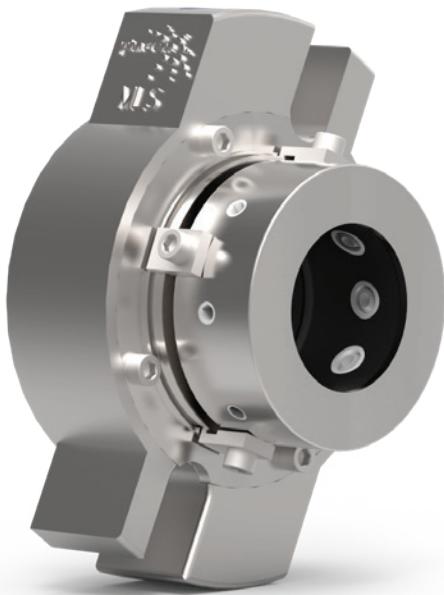


MLS-1 MULTI-LIP SEAL



DESIGN BENEFITS

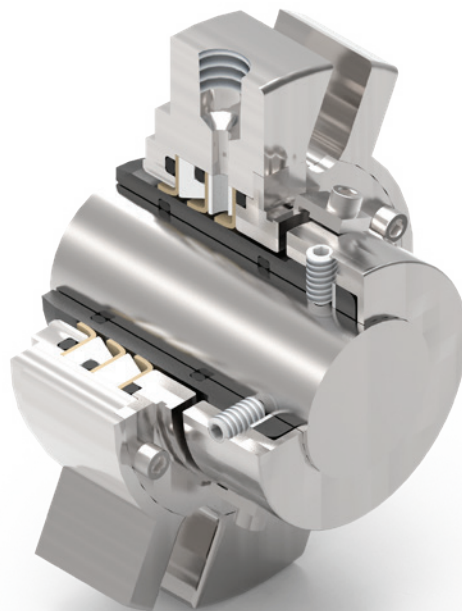
- Triple sealing element, independently sealed
- Functions effectively independent of shaft rotation direction
- Positive mechanical drive with one moving part
- Dry-running and external flush capability
- Easy to install and repair

PRODUCT DESCRIPTION

- ■ ■ ■ The Type MLS-1 is a cartridge seal designed for rotary positive displacement pumps handling high-viscosity fluids. The triple PTFE seal design is an effective alternative to packing or single mechanical seals. The design allows the sealing elements to run dry and function leak-free at low RPM with recurring startups. The self-lubricating sealing elements are manufactured from a PTFE blend and are incorporated in a sealing system that consists of three independent, sequential sealing chambers. The cartridge design includes a silicon carbide sleeve and a 316 Stainless Steel gland with flush ports.

MLS-1 MULTI-LIP SEAL

- Flexibility to fit a wide array of stuffing boxes and pump designs
- Engineered for high viscosity and batch process applications
- Easily accommodates recurring startups, pressure variations, slow speeds and flushing through the stuffing box



Performance Capabilities

Pressure Limits	Speed Limits	Temperature Limits	Viscosity	End Play/Axial Float Allowance	Runout/Out of Squareness	Available Sizes
Up to 200 psig/ 13.8 barg	Up to 900 fpm/ 4.6 m/s	Up to 325°F/ 163°C	20 to 80,000 cP	±0.100" / 2.54mm	±0.005" / 0.127mm	1.125" to 3.437"

Together, we will work with you to keep your mission-critical operations up and running with support and guidance from our experienced team.



North America
United States of America
Tel: 1-847-967-2400
Fax: 1-847-967-3915

Europe
United Kingdom
Tel: 44-1753-224000
Fax: 44-1753-224224

Latin America
Brazil
Tel: 55-11-3371-2500
Fax: 55-11-3371-2599

Middle East & Africa
United Arab Emirates
Tel: 971-481-27800
Fax: 971-488-62830

Asia Pacific
Singapore
Tel: 65-6518-1800
Fax: 65-6518-1803

If the products featured will be used in a potentially dangerous and/or hazardous process, your John Crane representative should be consulted prior to their selection and use. In the interest of continuous development, John Crane Companies reserve the right to alter designs and specifications without prior notice. It is dangerous to smoke while handling products made from PTFE. Old and new PTFE products must not be incinerated. ISO 9001 and ISO 14001 Certified, details available on request.