

### Installation

1. Align equipment to pump manufacturer's specification. Ensure shaft runouts are within specification.
2. Slide pump hub onto pump shaft and install axial key.
3. Thread adjusting nut onto pump shaft (50% minimum thread engagement recommended).  
**NOTE:** It may be necessary to install the long bolts in the pump hub prior to fitting on the shaft if the first obstruction is too close.
4. Slide motor hub onto motor shaft until circular keyway on shaft is exposed. Holding hub in this position, install the axial key and split circular key halves. Slide the motor hub down until it stops against circular keys (Figure 1).
5. Spacer coupling (Figure 2): Pilot spacer into motor hub, insert short bolts and fit locknuts. Tighten nuts to recommended values (Table 1).

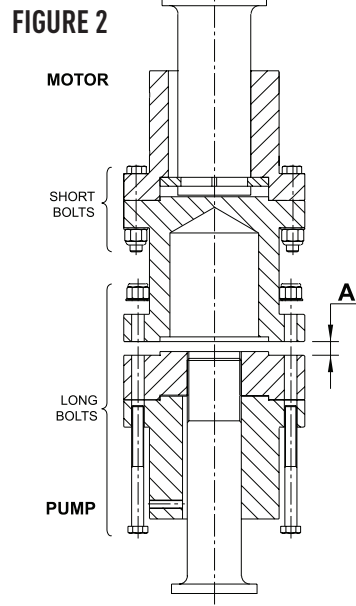
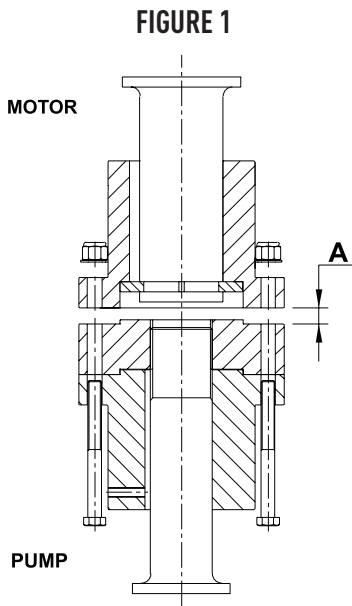


TABLE 1

Coupling Size	Dry Bolt Torque (lbs.ft)
1125	11
1625	21
2125	85
2625	
2875	
3125	
3875	287
4000	455
5000	680
6000	
7200	
8500	970
10500	1330

### Adjustment Procedure

6. Determine the distance impeller must be raised as specified by the pump vendor.
7. Turn adjusting nut until distance 'A' is equal to distance from Step 6 (Figure 1). Turn adjusting nut downward onto shaft to align bolt holes with pump hub.
8. Insert long bolts and fit nuts in rotation until coupling is drawn together securely. Tighten nuts to values shown in Table 1.



All rotating power transmission products are potentially dangerous. They should be used according to the manufacturer's recommendations and appropriate safety standards. It is the responsibility of the user to comply with any such standards.



**North America**  
United States of America  
Tel: 1-847-967-2400  
Fax: 1-847-967-3915

**Europe**  
United Kingdom  
Tel: 44-1753-224000  
Fax: 44-1753-224224

**Latin America**  
Brazil  
Tel: 55-11-3371-2500  
Fax: 55-11-3371-2599

**Middle East & Africa**  
United Arab Emirates  
Tel: 971-481-27800  
Fax: 971-488-62830

**Asia Pacific**  
Singapore  
Tel: 65-6518-1800  
Fax: 65-6518-1803

If the products featured will be used in a potentially dangerous and/or hazardous process, your John Crane representative should be consulted prior to their selection and use. In the interest of continuous development, John Crane Companies reserve the right to alter designs and specifications without prior notice. It is dangerous to smoke while handling products made from PTFE. Old and new PTFE products must not be incinerated. ISO 9001 and ISO14001 Certified, details available on request.