

## NON-PUSHER ELASTOMER DRY-RUNNING, SECONDARY CONTAINMENT SEAL



### DESIGN BENEFITS

- Unique patented NPSS technology prevents wear to the sealing diameter and prevents secondary seal hang-up
- Compact short axial length design, can be used where space is limited
- May be used with or without a buffer gas depending on the particular application characteristics
- Rotating seat design for reduced misalignment and higher shaft speed capability

## PRODUCT DESCRIPTION

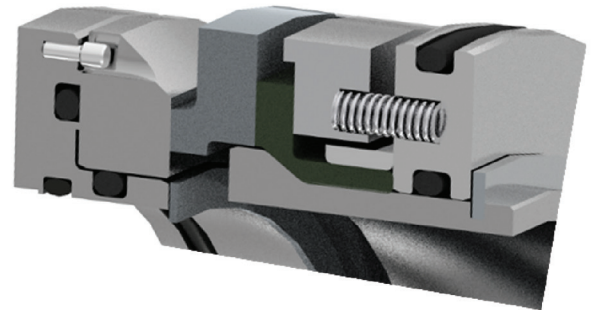
Long distance hydrocarbon pipeline operations with multiple, unmanned and remote pumping stations, means that in certain regions, many pipeline pumps rely on single mechanical seals to prevent leakage. The Type 8628SC, non-pusher secondary containment seal is now available for all non-flashing hydrocarbons.

## NON-PUSHER ELASTOMER DRY-RUNNING, SECONDARY CONTAINMENT SEAL

The Type 8648SC now enables pipeline operators transporting non-flashing hydrocarbons to provide reliable secondary containment in a dual unpressurized arrangement.

Used in conjunction with 8648VRS, allowing operation without potential for secondary seal problems, the 8648SC provides longevity and reliability for even the most difficult crude and other non-flashing hydrocarbon applications. Additionally, it's a short and compact design, providing dry containment with full-pressure shutdown capability.

By utilizing NPSS technology the 8648SC reduces the effects from seal life degradation and delivers a simple, reliable and safe solution.



### PERFORMANCE CAPABILITIES

Temperature	Pressure	Speed	Shaft Size
-4° to 400°F/-20° to 204°C	Up to 2.75 barg/40 psig (gas operation)  Containment Pressure: Up to 103 barg/1,500 psig (liquid operation)	Up to 6,000 fpm/30.5 ms <sup>-1</sup>	2.625 to 5.510"/67 to 140 mm

Together, we will work with you to keep your mission-critical operations up and running with support and guidance from our experienced team.



**North America**  
United States of America  
Tel: 1-847-967-2400

**Europe**  
United Kingdom  
Tel: 44-1753-224000

**Latin America**  
Brazil  
Tel: 55-11-3371-2500

**Middle East & Africa**  
United Arab Emirates  
Tel: 971-481-27800

**Asia Pacific**  
Singapore  
Tel: 65-6518-1800

If the products featured will be used in a potentially dangerous and/or hazardous process, your John Crane representative should be consulted prior to their selection and use. In the interest of continuous development, John Crane Companies reserve the right to alter designs and specifications without prior notice. It is dangerous to smoke while handling products made from PTFE. Old and new PTFE products must not be incinerated. ISO 9001 and ISO14001 Certified, details available on request.