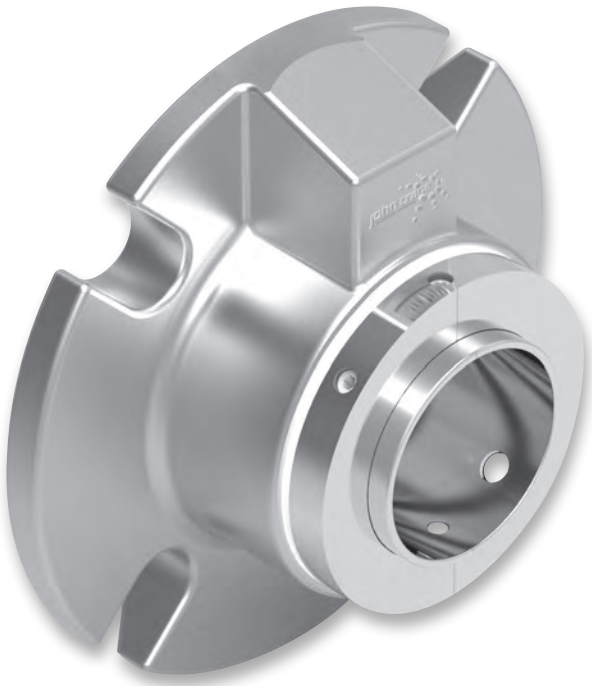


# TYPE 4111 SINGLE-USE ELASTOMER BELLOWS CARTRIDGE SEAL

## ELASTOMER BELLOWS CARTRIDGE SEAL



### DESIGN BENEFITS

- Simplified cartridge seal design
- Faster, easier and contamination-free installation
- Cost-effective sealing solution
- Complies with ANSI and DIN pump standards

## PRODUCT DESCRIPTION

■ ■ ■ ■ The T4111 is a revolutionary new single-use cartridge seal that simplifies the sealing process for applications using aqueous solutions. It is recommended for use on centrifugal and rotary pumps, and similar rotary shaft equipment.

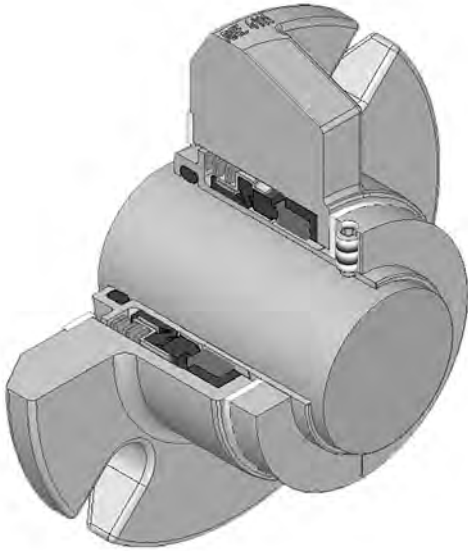
The Type 4111 uses proven sealing technologies and design features to provide you with reduced and reliable installation times, lower maintenance costs and optimal equipment performance. The cartridge design and material selections reduce set up and installation costs compared to traditional elastomer bellows component seals or traditional packing options.



Your Name  
Is How We Make Ours

# TYPE 4111 SINGLE-USE ELASTOMER BELLOWS CARTRIDGE SEAL

## ELASTOMER BELLOWS CARTRIDGE SEAL



- Maintenance and operating costs are reduced by easy replacement of a seal cartridge
- The non-clogging wave spring design prevents seal hang-ups and extends seal life

Seal Type	Description	Cartridge Arrangement	Fits Seal Chambers	
			ANSI B73.1M	DIN 24960
4111	Single-Use Elastomer Bellows Cartridge Seal	Single	X	X

### PERFORMANCE CAPABILITIES

Pressure Limits	Speed Limits	Temperature Limits	End Play/Axial Float Allowance	Runout/Out of Squareness	Available Sizes
Up to 10.3 bar(g) /150 psi(g)	Up to 3600 rpm	-40°C to 107°C/ -40°F to 225°F	0.13 mm/0.005"	0.05 mm/0.002"	35 mm, 45 mm and 48 mm/1.375", 1.750" and 1.875"

Together, we will work to keep your mission-critical operations up and running, with support and guidance from our experienced team.



**North America**  
United States of America  
Tel: 1-847-967-2400  
Fax: 1-847-967-3915

**Europe**  
United Kingdom  
Tel: 44-1753-224000  
Fax: 44-1753-224224

**Latin America**  
Brazil  
Tel: 55-11-3371-2500  
Fax: 55-11-3371-2599

**Middle East & Africa**  
United Arab Emirates  
Tel: 971-481-27800  
Fax: 971-488-62830

**Asia Pacific**  
Singapore  
Tel: 65-6518-1800  
Fax: 65-6518-1803

If the products featured will be used in a potentially dangerous and/or hazardous process, your John Crane representative should be consulted prior to their selection and use. In the interest of continuous development, John Crane Companies reserve the right to alter designs and specifications without prior notice. It is dangerous to smoke while handling products made from PTFE. Old and new PTFE products must not be incinerated. ISO 9001 and ISO 14001 Certified, details available upon request.